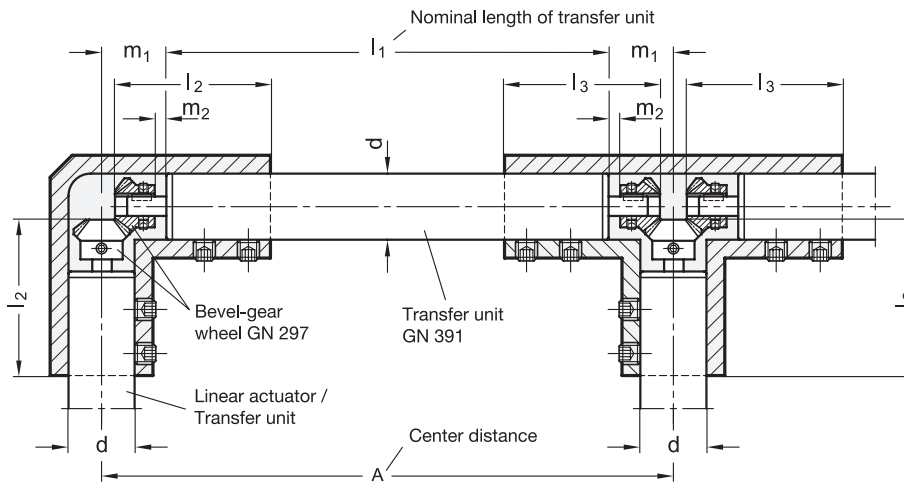


Assembly of linear actuators and transfer units with bevel-gear wheels in housings GN 298



d Ø Linear actuator / transfer unit	l <sub>2</sub>	l <sub>3</sub>	m <sub>1</sub>	m <sub>2</sub>	Bevel-gear wheel	Housing	Length of the transfer unit GN 391: l <sub>1</sub> = A - 2 x m <sub>1</sub>
18 0.71	41 1.61	40 1.57	20 0.79	4 0.16	GN 297-14.5-K6	GN 298-28-B18-W-SW GN 298-28-B18-T-SW	
30 1.18	58 2.28	57 2.24	26 1.02	1 0.04	GN 297-25-K8	GN 298-40-B30-W-SW GN 298-40-B30-T-SW	
40 1.57	75.5 2.97	73.5 2.89	32 1.26	1 0.04	GN 297-33-K12	GN 298-50-B40-W-SW GN 298-50-B40-T-SW	
50 1.97	90.5 3.56	87.5 3.44	32 1.26	1 0.04	GN 297-33-K12	GN 298-60-B50-W-SW GN 298-60-B50-T-SW	