

EN 5342.13

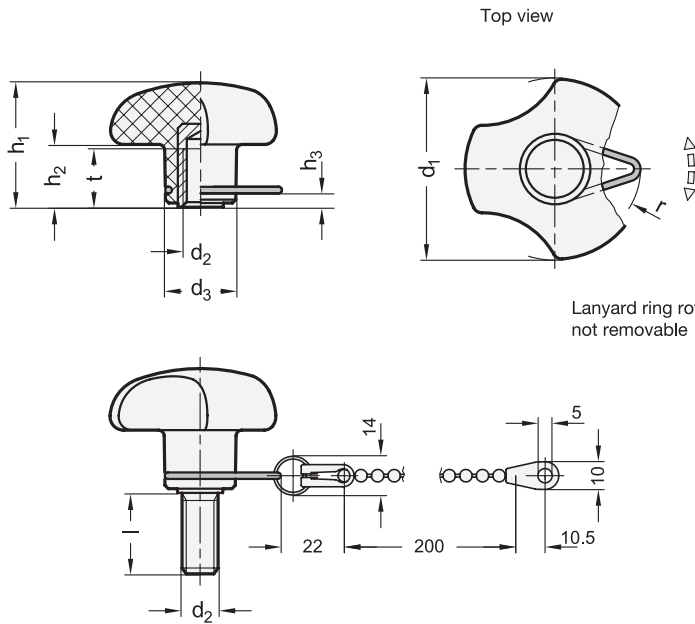
Tapped Insert / Threaded Stud

Three-Lobed Knobs with Loss Protection

Technopolymer Plastic



JWWINCO
A Ganter Company



SS Stainless Steel

4 Loss protection

P With plastic ball chain

Metric table

1 d ₁	2 d ₂	3 Length l	d ₃	h ₁	h ₂	h ₃	r	t min.
25 0.98	M 5	16 0.63	12 0.47	20 0.79	10 0.39	2.4 0.09	20 0.79	10 0.39
32 1.26	M 6	20 0.79	14 0.55	23 0.91	11.5 0.45	2.7 0.11	21 0.83	10 0.39
40 1.57	M 8	30 1.18	16 0.63	27 1.06	13.5 0.53	3.2 0.13	21.5 0.85	13 0.51
50 1.97	M 10	40 1.57	19 0.75	30 1.18	15 0.59	3.6 0.14	22.5 0.89	17 0.67

Dimensions in: millimeters - inches

Specification

- Three-lobed knob
Plastic
Technopolymer (Polyamide PA)
- Glass fiber reinforced
- Temperature resistant up to 140 °F (60 °C)
- Black, matte finish
- Tapped insert / threaded stud
Stainless steel AISI 304
- Lanyard ring / ball chain
Plastic
Technopolymer (Polyacetal POM)
- Key ring
Stainless steel
Chemically blackened finish
- [Plastic Characteristics](#) → page 2135
- [Stainless Steel Characteristics](#) → page 2143
- [RoHS compliant](#)

Information

EN 5342.13 three-lobed knobs with loss protection can be attached to a base element with the help of the ball chain.

The three-lobed knobs are supplied ready assembled (with a plastic ball chain).

see also...

- [Five-Lobed Knobs with Loss Protection EN 5337.13](#) → page 614
- [Star Knobs with Loss Protection GN 6336.13](#) → page 584
- [Three-Lobed Knobs EN 5342 \(Technopolymer Plastic, with Stainless Steel Tapped Insert\)](#) → page 643
- [Three-Lobed Knobs EN 5342 \(Technopolymer Plastic, with Stainless Steel Threaded Stud\)](#) → page 646
- [More Knobs with Loss Protection GN 111.7](#) → page 2046

On request

- With brass insert
- With steel zinc plated threaded stud
- Plastic ball chains in other lengths

How to order (Tapped insert)	1 Handle diameter d ₁
EN 5342.13-40-M8-P	2 Thread d ₂
	4 Loss protection

How to order (Threaded stud)	1 Handle diameter d ₁
EN 5342.13-50-M10-40-P	2 Thread d ₂
	3 Length l
	4 Loss protection