

Metric

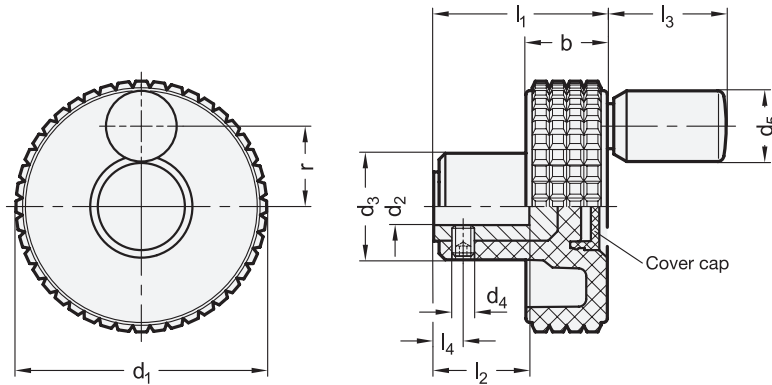


elesa
Original design MBT+I



3 Type

D With mini revolving handle



Metric table

Dimensions in: millimeters / inches

1 d_1	2 d_2 H9 Bore	d_3	d_4 Thread	d_5	b	l_1	l_2	l_3	l_4	r
40 1.57	B 6	17 0.67	M 4	13.5 0.53	14 0.55	26.5 1.04	14 0.55	20 0.79	4 0.16	12.5 0.49
50 1.97	B 6	20 0.79	M 5	13.5 0.53	17 0.67	33 1.30	18 0.71	20 0.79	5 0.20	16.5 0.65
60 2.36	B 8	23 0.91	M 5	16 0.63	20.5 0.81	39 1.54	20 0.79	23 0.91	6 0.24	20.5 0.81
70 2.76	B 10	24 0.94	M 5	16 0.63	21.5 0.85	42 1.65	25 0.98	23 0.91	6 0.24	25 0.98
85 3.35	B 10	29 1.14	M 5	16 0.63	20 0.79	30.5 1.20	22 0.87	23 0.91	6 0.24	32.5 1.28
100 3.94	B 10	35 1.38	M 5	16 0.63	20 0.79	31 1.22	22 0.87	23 0.91	6 0.24	40 1.57

Specification

Body

- Plastic, Polypropylene (PP)
- Reinforced, shock-resistant
- Operating temperature +32 °F to +194 °F (0 °C to +90 °C)
- Black, matte finish

Cover cap

- Plastic, Polyamide (PA)
- Black, RAL 9005, matte finish
- Orange, RAL 2004, matte finish
- Gray, RAL 7035, matte finish
- Yellow, RAL 1021, matte finish
- Blue, RAL 5024, matte finish
- Blue, RAL 5024, matte finish
- Red, RAL 3000, matte finish
- Green, RAL 6017, matte finish

- —
- **DOR**
- **DGR**
- **DGB**
- **DBL**
- **DRT**
- **DGN**

Hub bushing

Brass

Set screw DIN 916

Stainless steel
With internal hex and serrated point

Mini revolving handle EN 595

- Plastic, Polyamide (PA)
- Black, matte finish
- Threaded spindle
- Steel, zinc plated, blue passivated finish

RoHS

Knurled control knobs EN 735 are used for adjustments on specific operations requiring low torque only.

Coarse adjustment can be achieved via the mini revolving handle (finger grip), while fine adjustment is performed by using the rim of the wheel.

see also...

	Page
GN 736 Knurled Control Knobs (Aluminum, Black Anodized Finish)	QVX
GN 736.1 Knurled Control Knobs (Aluminum, Black Anodized Finish, with Standard Scale)	QVX

Technical Information

ISO Fundamental Tolerances	QVX
Plastic Characteristics	QVX

Accessory

GN 826 Control Knob Flanges (for Adjustable Spindles)	QVX
--	-----

How to order (With black cover cap)

EN 735-40-B6-D

1 Knob diameter d_1
2 Bore d_2
3 Type

How to order (With colored cover cap)

EN 735-60-B8-D-DRT

1 Knob diameter d_1
2 Bore d_2
3 Type
4 Color of the cover cap