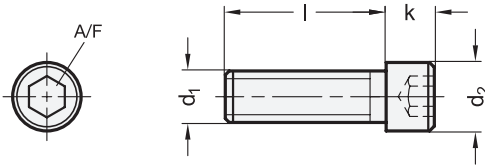
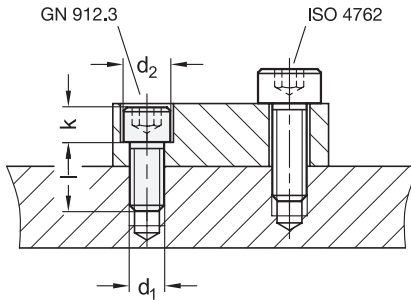


Metric



Assembly examples / Comparison



SS Stainless Steel

Metric table

Dimensions in: millimeters / inches

d ₁	Length l								d ₂ ±0.1	k	A/F
	1	2	3	4	5	6	7	8			
M 3	5 0.20	6 0.24	8 0.31	10 0.39	12 0.47	-	-	4.5 0.177	3 0.12	2.5	
M 4	6 0.24	8 0.31	10 0.39	12 0.47	16 0.63	20 0.79	25 0.98	5.5 0.217	4 0.16	3	
M 5	8 0.31	10 0.39	12 0.47	16 0.63	20 0.79	25 0.98	-	7 0.276	4.5 0.18	4	
M 6	8 0.31	10 0.39	12 0.47	16 0.63	20 0.79	25 0.98	30 1.18	8.5 0.335	5.5 0.22	5	
M 8	10 0.39	12 0.47	16 0.63	20 0.79	25 0.98	30 1.18	35 1.38	11 0.433	7.5 0.30	6	
M 10	16 0.63	20 0.79	25 0.98	30 1.18	35 1.38	40 1.57	-	13.5 0.531	9.5 0.37	8	

Specification

Stainless steel AISI 304 (A2-50)

RoHS

3

NI

Socket cap screws GN 912.3 have a reduced head diameter compared with socket cap screws ISO 4762.

Thus the screws can be countersunk in places where this would not be possible with standard socket cap screws due to insufficient space, such as a small edge distance.

Due to their head geometry, screws according to this specification have a reduced load capacity as per ISO 898-1.

see also...

GN 7984.3 Socket Cap Screws
(with Low-Profile Head and Reduced Head Diameter)

Page

QVX

Technical Information

Stainless Steel Characteristics

QVX

How to order

GN912.3-M3-12-NI

- 1 Thread d₁
- 2 Length l
- 3 Material

3.1
3.2
3.3
3.4
3.5
3.6
3.7
3.8
3.9
3.10

